

# **DEUBLIN<sup>®</sup>**

*HOERBIGER Rotary Solutions*

COR163 US



## **CORRUGATING SOLUTIONS**

[www.deublin.com](http://www.deublin.com)

## STEAM JOINT AND SIPHON SYSTEM FOR **ALL CORRUGATING APPLICATIONS**

To achieve maximum heat transfer to the surface of the roll, the condensate from inside the roll must be evacuated.

Corrugating machines use stationary or rotating siphons to evacuate condensate. A large majority of siphon systems used in corrugating operations employ stationary siphons.

Maintaining minimal clearance between the siphon and the surface of the roll and its orientation in the vertical, downward position requires a rigid siphon support system. This configuration is available in all DEUBLIN steam joint and stationary siphon systems.

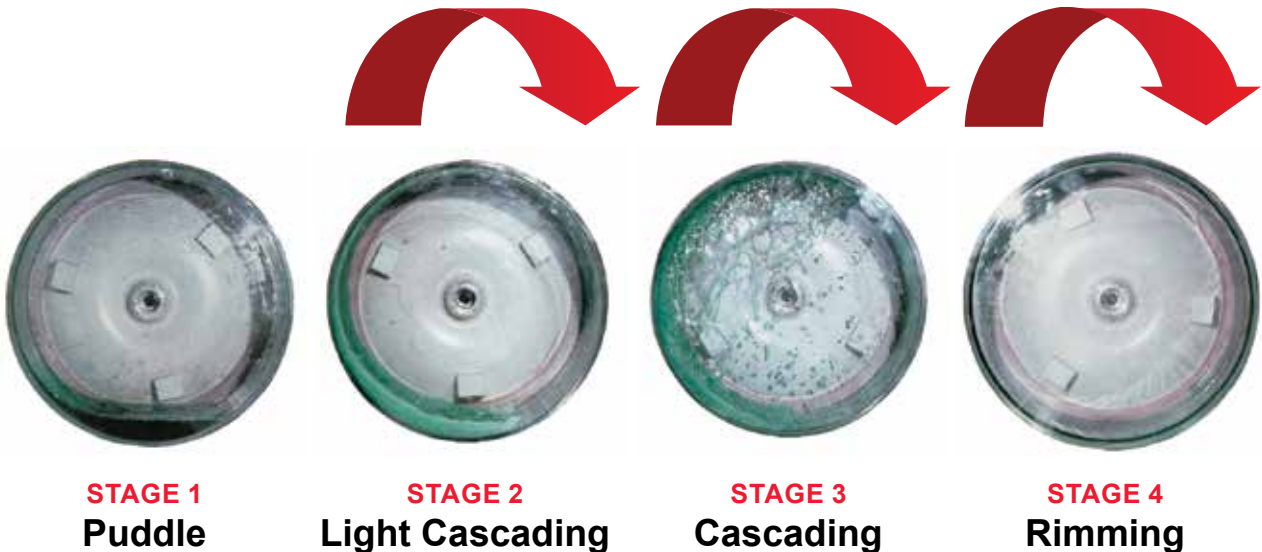
Various stages of condensate behavior are shown below. As machine speeds increase, the condensate eventually transitions to a rimming condition. Maximum heat transfer is achieved by maintaining a minimum condensate layer thickness.

Key considerations for corrugating efficiency include siphon size, minimal and stable clearance between the siphon pipe and the roll, and maintaining the siphon in the vertical, downward position. Finally, the siphon system must withstand machine vibration without compromising the siphon clearance.

DEUBLIN meets the challenge of reducing the condensate layer inside the roll to a minimum with our innovative design feature that allows siphon clearance adjustment from outside the roll. The benefits of reduced siphon clearance are:

- Reduced condensate layer inside the roll, which increases the temperature on the roll surface improving production
- Elimination of roll flooding – accelerates start up
- Increased product uniformity and quality with reduced scrap rates

### Condensate Behavior



**WARNING** DEUBLIN unions should not be used to convey flammable media (flash point  $\leq 140^{\circ}\text{F}$  or  $60^{\circ}\text{C}$ ) as leakage may result in explosions or fires. DEUBLIN unions should be used in accordance with standard safety guidelines for the media, and in a well-ventilated area. The use of our product on hazardous or corrosive media is strictly forbidden.

# CORRUGATING OVERVIEW

## STEAM JOINTS

DEUBLIN steam joint and siphon systems enhance productivity by more reliably inducing steam into the rolls and removing condensate. DEUBLIN systems eliminate a number of common problems:

- ❑ Broken siphons
- ❑ Short seal life
- ❑ Leaking gaskets
- ❑ Cold spots
- ❑ Inability to adjust siphons
- ❑ Broken rotors
- ❑ Blistering

### Types of Steam Joints:

#### Self-Supported, Rod-Supported and Bell-Supported

Self-supported steam joints are single-piece units that mount directly onto the roll journal, simplifying installation and replacement. Carbon graphite bushings support the steam joint housing relative to the rotor.

Rod-supported steam joints are mounted on support rods that are secured to the frame of the machine. This rigid support allows the steam joint to withstand side loads applied by the steam and condensate hoses.

Bell-supported steam joints are mounted to an existing bearing surface. The Bell is fabricated and rigidly secured to the bearing cover of the roll.

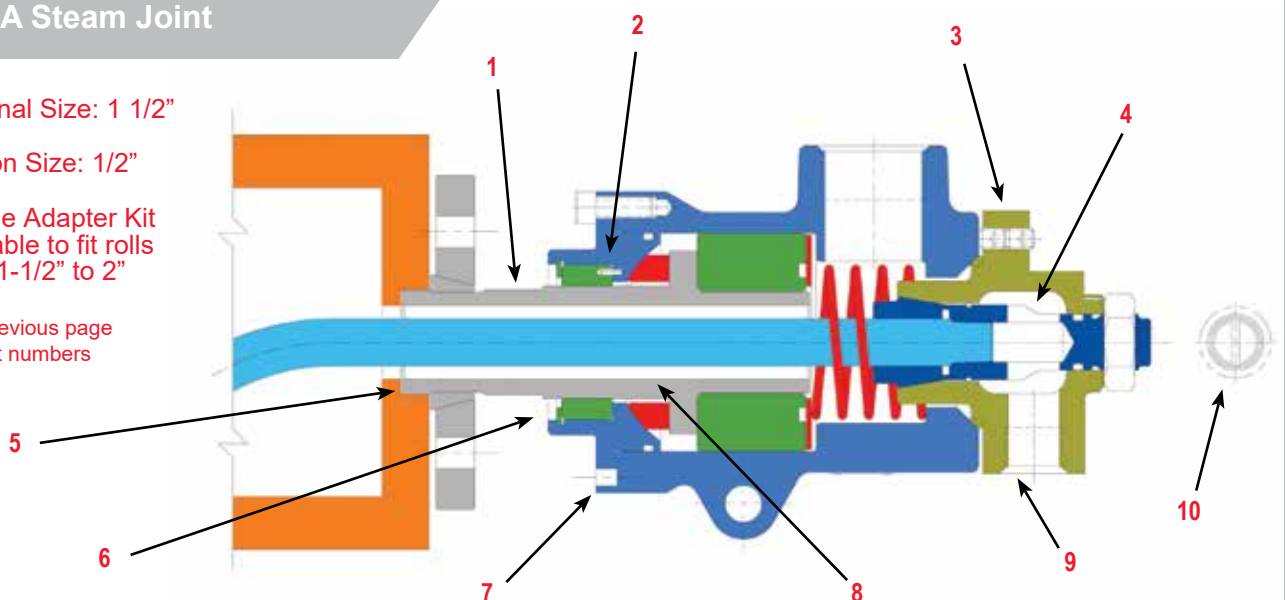
### Features

1. Heavy Duty Rotor eliminates rotor breakage and enhances operator mechanic safety
2. Convex Seal Ring keeps carbon in compression (4 times stronger than concave rings in tension) to better withstand vibration, mechanical and thermal shock and pressure spikes
3. Exclusive externally adjustable siphon orientation and clearance provides optimum condensate removal, improves heat transfer and helps eliminate blistering
4. Clamping siphon support for increased siphon rigidity
5. Large contact surface area provides better gasket sealing surface
6. Seal Wear Indicator aids planned maintenance
7. Jacking Screw allows ease of disassembly
8. Heavy-duty thick wall rotor withstands greater torsion stress; eliminates rotor failures and enhances worker safety
9. Adjustable End Cap can be oriented at multiple angles
10. Alignment Slot ensures siphon drop leg at vertical downward position within the roll; split collar ensures rigid and secure attachment of siphon pipe

### HPS A Steam Joint

- Nominal Size: 1 1/2"
- Siphon Size: 1/2"
- Flange Adapter Kit available to fit rolls from 1-1/2" to 2"

See previous page for part numbers



# CMS50

Series for High Pressure Steam Service in Corrugators

## CMS50S STEAM JOINT WITH STATIONARY SIPHON

The CMS50S has been designed for drop down stationary siphon application. The housing features a collet mechanism to offer a rigid support of the stationary siphon. This also allows the siphon pick-up surface to be held at a uniform clearance from the surface of the roll. In addition, the siphon clearance can be adjusted by an external siphon clearance adjustment mechanism.

## CMS50R STEAM JOINT WITH ROTATING SIPHON

The CMS50R has been designed for a rotating siphon application commonly used in gun-drilled rolls. Sealing between the rotating siphon pipe and the housing is accomplished by an end face mechanical seal. The sealing pressure across the internal mechanical seal is equivalent to the differential pressure between the inlet of the steam and outlet of the condensate/steam mixture.



### Operating Data

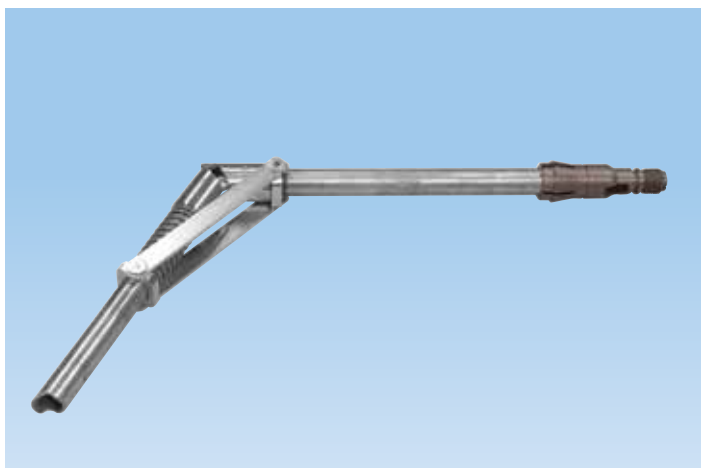
Maximum Saturated Steam Pressure	250 PSI	17 bar
Maximum Speed	400 RPM	400/min
Maximum Temperature	400°F	205°C



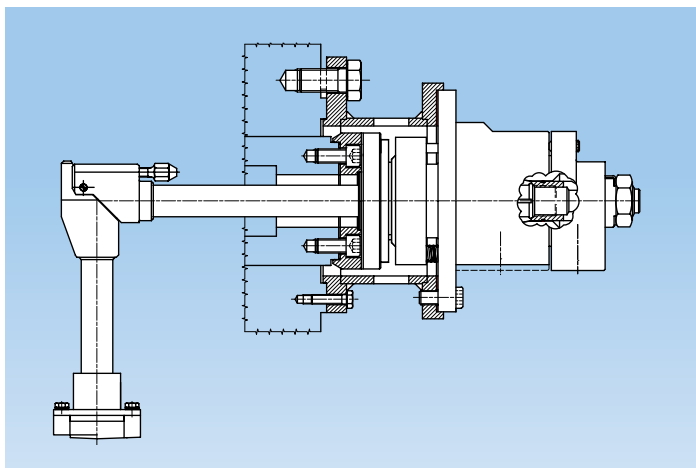
## CMS Corrugating Steam Joints – Features and Benefits

Features	Benefits
Stationary and Rotating Siphon models available	• Accommodates all corrugating machine types
Cartridge, flat-faced balanced mechanical seal	• Reduces pressure, torque and wear, extending seal life • Compensates for angular misalignment
Cartridge seal	• Simplifies and reduces maintenance when servicing the seal
Wear indicator	• Allows for visual inspection for preventative maintenance
Enclosed springs	• Prevents spring hangup and premature failure
Rotating Siphon design utilizes dual Mechanical Seals	• Eliminates Short Circuit of steam

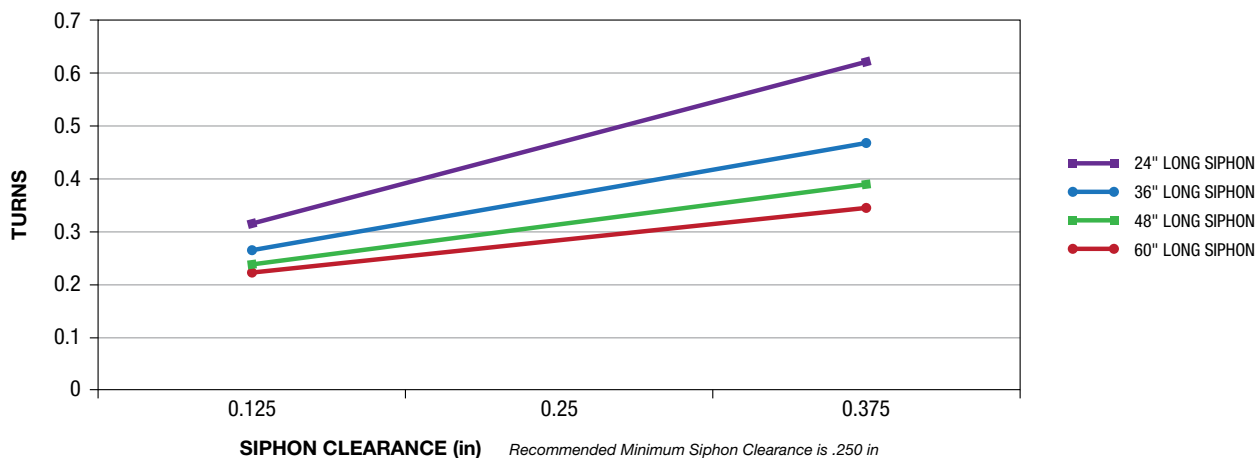
## Spring Reinforced Siphon (SRS) Elbow Siphon



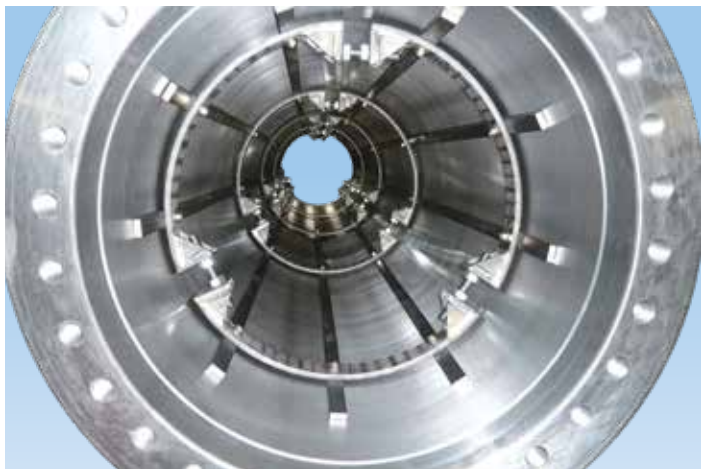
## 90° Elbow Siphon



### ADJUSTMENT SCREW VS. SIPHON CLEARANCE



**Turbulence Bars - breaks rimming condensate and improves heat transfer**



**CMS50R (Rotating Siphon)**





### Operating Data

Maximum Saturated Steam Pressure	250 PSI	17 bar
Maximum Speed	400 RPM	400/min
Maximum Temperature	400°F	205°C

## HPS A

### Series for High Pressure Steam Service in Corrugators

- Duoflow design
- Self-supported rotating union
- Seals and bearings made of special Carbon Graphite
- Convex seal ring better suited to handle mechanical and thermal shock
- External mechanism to adjust siphon pipe through end cap
- Stainless steel spring
- Heavy duty steel rotor design
- Dual bearings for extended service life
- Siphon Type: Stationary
- Siphon Size: 1/2"



### Operating Data

Maximum Saturated Steam Pressure	250 PSI	17 bar
Maximum Speed	400 RPM	400/min
Maximum Temperature	400°F	205°C

## HPS B

### Series for High Pressure Steam Service in Corrugators

- Duoflow design
- Self-supported
- Seals and bearings made of special Carbon Graphite
- Convex seal ring better suited to handle mechanical and thermal shock
- External mechanism to adjust siphon pipe through end cap
- Stainless steel spring
- Heavy duty steel rotor design
- Dual bearings for extended service life
- Siphon Type: Stationary or Rotating
- Siphon Size: 3/4" Stationary; 3/4" & 1" Rotating



### Operating Data

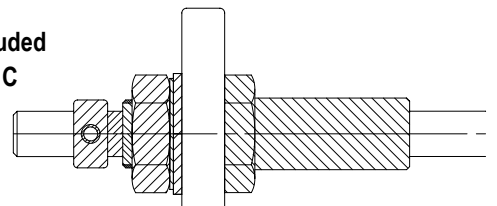
Maximum Saturated Steam Pressure	250 PSI	17 bar
Maximum Speed	400 RPM	400/min
Maximum Temperature	400°F	205°C

## HPS C

### Series for High Pressure Steam Service in Corrugators

- Duoflow design
- Rod Supported (by customer)
- Seals made of special Carbon Graphite
- Convex seal ring better suited to handle mechanical and thermal shock
- External mechanism to adjust siphon pipe through end cap
- Stainless steel spring
- Heavy duty steel rotor design
- Siphon Type: Stationary or Rotating
- Siphon Size: 3/4" Stationary; 3/4" & 1" Rotating

Rod Kit included  
with HPS C

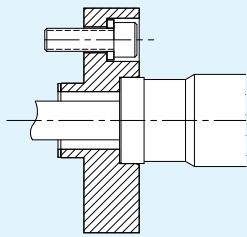


Mounting to DEUBLIN Supplied Rods

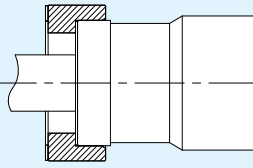
# Flange Adapter Kits

1 1/4"

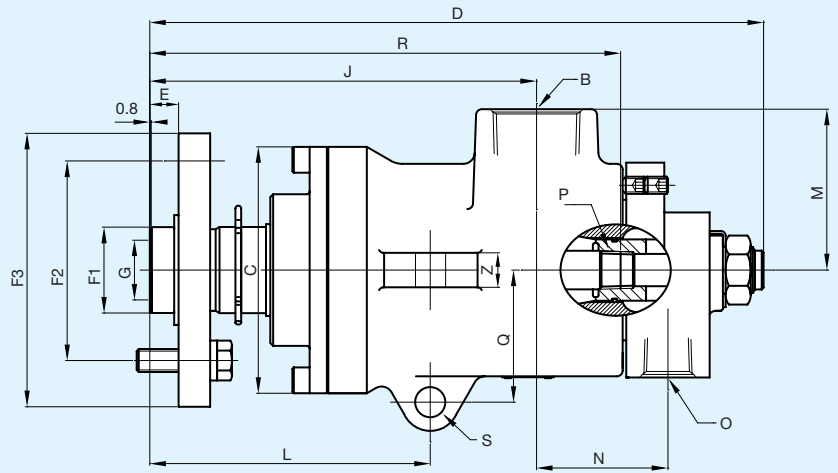
2"



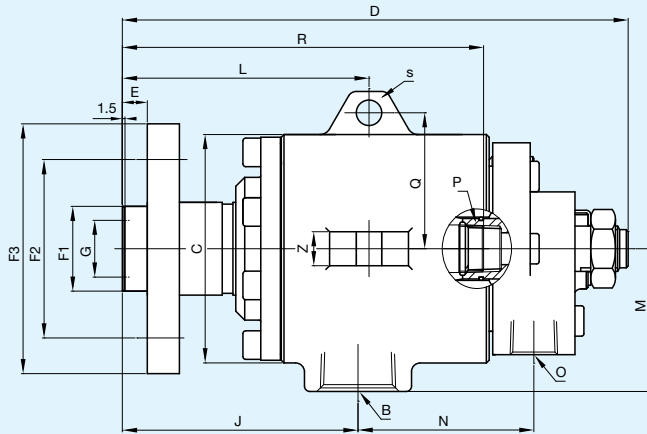
P007661



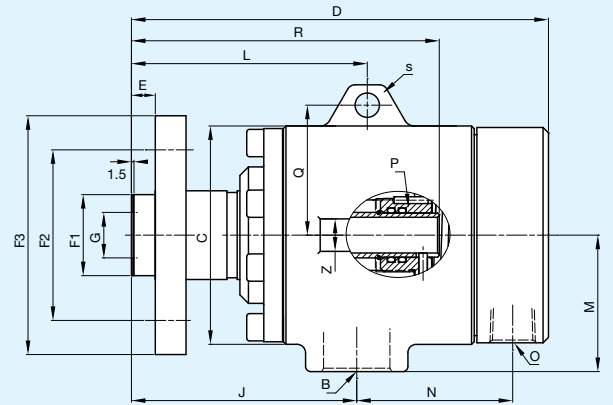
17894K



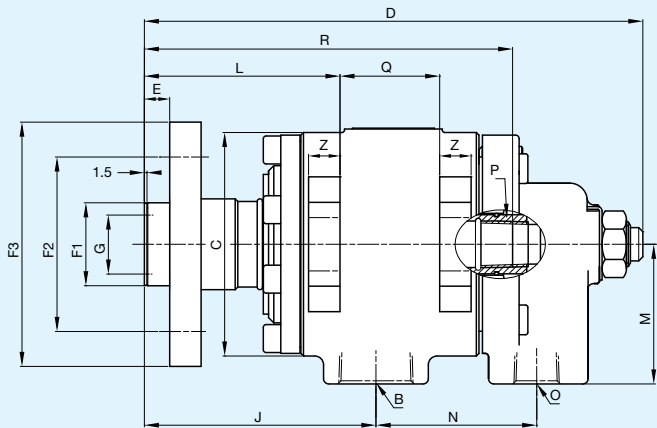
**HPS A (HPS600012)**



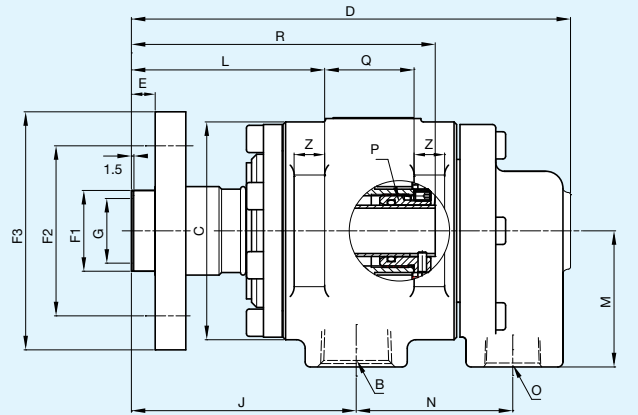
**HPS B with Stationary Siphon (H40-052-220737)**



**HPS B with Rotating Siphon (H40-058-223741)**



**HPS C with Stationary Siphon (HS40-500013) with 7/8"-9 UNC Rods\***  
**HPS C with Stationary Siphon (HS40-500014) with M20 x 2.5 Rods\***



**HPS C with Rotating Siphon (HS40-500016) with 7/8"-9 UNC Rods\*\***  
**HPS C with Rotating Siphon (HS40-500015) with M20 x 2.5 Rods\*\***

Union	Ordering Number	Siphon Size	B Port	O Port	C Ø	D	E	F1 Ø	F2 Ø	F3 Ø	G Ø	J	L	M	N	P	Q	R	S Ø	Z	Ship Weight
HPSA	HPS600012	1/2"	1 1/2"	3/4"	5 <sup>23</sup> / <sub>64</sub> "	13 <sup>23</sup> / <sub>64</sub> "	5/8"	1.870" / 1.868"	4 <sup>3</sup> / <sub>16</sub> " or 3 <sup>15</sup> / <sub>16</sub> " (4x) 9/16" Holes	5 <sup>6</sup> / <sub>16</sub> "	1 <sup>9</sup> / <sub>16</sub> "	8 <sup>27</sup> / <sub>64</sub> "	6 <sup>7</sup> / <sub>16</sub> "	3 1/2"	2 <sup>56</sup> / <sub>64</sub> "	1/2" NPT	2 <sup>7</sup> / <sub>8</sub> "	10 <sup>1</sup> / <sub>4</sub> "	2 <sup>1</sup> / <sub>32</sub> "	3/4"	38#
HPS B	H40-052-220737	3/4"	1 1/4"	3/4"	5 <sup>1</sup> / <sub>32</sub> "	11 <sup>9</sup> / <sub>32</sub> "	3 <sup>5</sup> / <sub>64</sub> "	1.870" / 1.868"	3 <sup>15</sup> / <sub>16</sub> " (4x) 9/16" Holes	5 <sup>33</sup> / <sub>64</sub> "	1 1/2"	5 <sup>13</sup> / <sub>64</sub> "	5 <sup>7</sup> / <sub>16</sub> "	3 <sup>9</sup> / <sub>32</sub> "	3 <sup>7</sup> / <sub>8</sub> "	3/4" NPT	3"	7 <sup>3</sup> / <sub>32</sub> "	9 <sup>1</sup> / <sub>16</sub> "	3/4"	38#
HPS B	H40-058-223741	3/4"	1 1/4"	3/4"	5"	9 <sup>5</sup> / <sub>8</sub> "	3 <sup>5</sup> / <sub>64</sub> "	1.870" / 1.868"	3 <sup>15</sup> / <sub>16</sub> " (4x) 9/16" Holes	5 <sup>33</sup> / <sub>64</sub> "	1 1/2"	5 <sup>13</sup> / <sub>64</sub> "	5 <sup>7</sup> / <sub>16</sub> "	3 <sup>9</sup> / <sub>32</sub> "	3 <sup>7</sup> / <sub>8</sub> "	1.017" / 1.015"	3"	7 <sup>7</sup> / <sub>64</sub> "	9 <sup>1</sup> / <sub>16</sub> "	3/4"	38#
HPS C	See above*	3/4"	1 1/4"	3/4"	5 <sup>3</sup> / <sub>64</sub> "	11 <sup>1</sup> / <sub>4</sub> "	9 <sup>1</sup> / <sub>16</sub> "	1.870" / 1.868"	3 <sup>15</sup> / <sub>16</sub> " (4x) 9/16" Holes	5 <sup>33</sup> / <sub>64</sub> "	1 1/2"	5 <sup>13</sup> / <sub>64</sub> "	4 <sup>13</sup> / <sub>32</sub> "	3 <sup>9</sup> / <sub>32</sub> "	3 <sup>7</sup> / <sub>8</sub> "	3/4" NPT	2 <sup>1</sup> / <sub>4</sub> "	8 <sup>9</sup> / <sub>16</sub> "	N/A	3/4"	45#
HPS C	See above**	1"	1 1/4"	3/4"	5 <sup>3</sup> / <sub>64</sub> "	10 <sup>11</sup> / <sub>64</sub> "	3 <sup>5</sup> / <sub>64</sub> "	1.870" / 1.868"	3 <sup>15</sup> / <sub>16</sub> " (4x) 9/16" Holes	5 <sup>33</sup> / <sub>64</sub> "	1 1/2"	5 <sup>13</sup> / <sub>64</sub> "	4 <sup>13</sup> / <sub>32</sub> "	3 <sup>9</sup> / <sub>32</sub> "	3 <sup>7</sup> / <sub>8</sub> "	1.187" / 1.185"	8 <sup>1</sup> / <sub>16</sub> "	7 <sup>1</sup> / <sub>32</sub> "	N/A	4 <sup>5</sup> / <sub>64</sub> "	45#

Since its founding in 1945 as a small, family-owned business, Deublin consistently has adhered to a policy of designing and building the best products of their kind in the world. The result of this policy has been constant growth through the years, and for this we are grateful to our many loyal customers.

Today, Deublin is the world's largest manufacturer of rotating unions, with state-of-the-art factories, technical sales and service, and local stocking in 15 countries on four continents, as well as a worldwide distribution network operating from more than 60 countries. Our global organization and extensive catalog of field-tested products ensure a precise match between each customer's requirements and an engineered solution.

We cordially invite you to visit our modern manufacturing facilities in Waukegan, Illinois, USA; Mainz, Germany; Montevoglio, Italy; Dalian, China; and Sao Paulo, Brazil.



Global Headquarters in Waukegan, Illinois, U.S.A.



Mainz, Germany



Montevoglio, Italy



Dalian, China



Deublin products & services are available throughout the world.

[www.deublin.com](http://www.deublin.com)

## AMERICAS

### DEUBLIN USA

2050 Norman Drive  
Waukegan, IL 60085 U.S.A.  
Phone: +1 847 689-8600  
Fax: +1 847 689-8690  
e-mail: [cs@deublin.com](mailto:cs@deublin.com)

### DEUBLIN Brazil

Rua Fagundes de Oliveira, 538 - A11 –  
Piraporinha  
CEP: 09950-300 - Diadema - SP – Brazil  
Phone: +55 11-2455-3245  
Fax: +55 11-2455-2358  
e-mail: [deublinbrasil@deublinbrasil.com.br](mailto:deublinbrasil@deublinbrasil.com.br)

### DEUBLIN Mexico

Norte 79-A No. 77, Col. Claveria  
02080 Mexico, D.F.  
Phone: +52 55-5342-0362  
Fax: +52 55-5342-0157  
e-mail: [deublinmexicocs@deublin.com](mailto:deublinmexicocs@deublin.com)

## ASIA

### DEUBLIN China

No. 2, 7th Street, DD Port,  
Economic Development Zone, Dalian,  
Liaoning Province, 116620, P.R. China  
Phone: +86 411-87549678  
Fax: +86 411-87549679  
e-mail: [info@deublin.cn](mailto:info@deublin.cn)

Room15A07, Wangjiao Plaza  
No.175 East Yan'an Road, Huangpu District  
Shanghai, 200041, P.R. China  
Phone: +86 21-52980791  
Fax: +86 21-52980790  
e-mail: [service@deublin.cn](mailto:service@deublin.cn)

### DEUBLIN Asia Pacific

51 Goldhill Plaza, #17-02  
Singapore 308900  
Phone: +65 6259-9225  
Fax: +65 6259-9723  
e-mail: [deublin@singnet.com.sg](mailto:deublin@singnet.com.sg)

### DEUBLIN Japan

2-13-1, Minamihanayashiki  
Kawanishi City 666-0026, Japan  
Phone: +81 72-757-0099  
Fax: +81 72-757-0120  
e-mail: [customerservice@deublin.jp](mailto:customerservice@deublin.jp)

2-4-10-3F Ryogoku  
Sumida-Ku, Tokyo 130-0026, Japan  
Phone: +81 35-625-0777  
Fax: +81 35-625-0888  
e-mail: [customerservice@deublin.jp](mailto:customerservice@deublin.jp)

1-9-2-4F Mikawaanjo-cho  
Anjo City, Aichi 446-0056, Japan  
Phone: +81 566-7361  
Fax: +81 566-71-4360  
e-mail: [customerservice@deublin.jp](mailto:customerservice@deublin.jp)

### DEUBLIN Korea

Star Tower #1003, Sangdaewon-dong 223-25,  
Jungwon-gu, Seongnam-si, Gyeonggi-do,  
South Korea  
Phone: +82-31-8018-5777  
Fax: +82-31-8018-5780  
e-mail: [customerservice@deublin.kr](mailto:customerservice@deublin.kr)

## EUROPE

### DEUBLIN Germany

Florenz - Allee 1  
55129 Mainz, Germany  
Phone: +49 6131-4998-0  
Fax: +49 6131-4998-109  
e-mail: [info@deublin.de](mailto:info@deublin.de)

### DEUBLIN Italy

Via Guido Rossa, 9  
40053 Comune di Valsamoggia (BO), Italy  
Phone: +39 051-835611  
Fax: +39 051-832091  
e-mail: [info@deublin.it](mailto:info@deublin.it)

### DEUBLIN Austria

Mitterfeldgasse 3/18/R02  
1110 Vienna, Austria  
Phone: +43 1-8768450  
Fax: +43 1-876845030  
e-mail: [info@deublin.at](mailto:info@deublin.at)

### DEUBLIN France

61 bis, Avenue de l'Europe  
Z.A.C de la Mainoue  
77184 Emerainville, France  
Phone: +33 1-64616161  
Fax: +33 1-64616364  
e-mail: [service.client@deublin.fr](mailto:service.client@deublin.fr)

### DEUBLIN Poland

ul. Bierutowska 57-59  
51-317 Wroclaw, Poland  
Phone: +48 71-3528152  
Fax: +48 71-3276278  
e-mail: [info@deublin.pl](mailto:info@deublin.pl)

### DEUBLIN Russia

5-ya Sokolnoi gori, 18, bld. 2, office 1  
105275, Moscow, Russia  
Phone: +7 495 647-14-34  
Fax: +7 495 938-89-49  
e-mail: [info@deublinrussia.ru](mailto:info@deublinrussia.ru)

### DEUBLIN Spain

C/Lola Anglada, 20 local 1,  
08228 Terrassa, Spain  
Phone: +34 93-2211223  
Fax: +34 93-2212093  
e-mail: [deublin@deublin.es](mailto:deublin@deublin.es)

### DEUBLIN United Kingdom

6 Sopwith Park, Royce Close,  
West Portway  
Andover SP10 3TS, UK  
Phone: +44 1264-333355  
Fax: +44 1264-333304  
e-mail: [info@deublin.co.uk](mailto:info@deublin.co.uk)