

# **DEUBLIN**

*HOERBIGER Rotary Solutions*



## **ROTATING UNIONS**

High Pressure Hydraulic Unions  
for Wind Energy Applications

[www.deublin.com](http://www.deublin.com)

## Helping Realize the Promise of Wind Energy

Wind energy is a rapidly-growing option to traditional utility scale power generation alternatives, which are increasingly challenged by environmental, geopolitical and economic issues. The potential is enormous.

In the United States, as public demand for clean energy grows, and as the cost of producing energy from the wind continues to decline, it is likely that wind energy will provide a significant and growing portion of the nation's energy supply.

To realize these goals, problems must be solved – among them, improved reliability and operability of wind systems.



## Unparalleled Functionality and Reliability

As the proven leader for the manufacture of precision rotary unions for wind turbine hydraulic pitch control, DEUBLIN Engineering continues to focus on reliability and performance.

Our hydraulic rotary unions for wind energy applications are available in configurations ranging from monoflow to four-passage designs, with central passages for cableconnection to electrical slip rings. Each DEUBLIN rotary union employs a proprietary, controlled leakage sealing technology. Durability features such as water resistant construction and hardened stainless steel rotors provide unparalleled lifecycle reliability over millions of cycles. This significantly reduces downtime and maintenance costs for both on- and off-shore operations.

All unions are 100% factory tested under operating pressures to ensure that each union is completely operational upon receipt and ready to install. But testing is just the beginning of DEUBLIN's commitment to quality.

## Quality Credentials

DEUBLIN pursues its design and manufacturing missions with a passionate belief in the premise that quality is designed-in, not inspected in – a philosophy that is at the heart of its independently registered ISO 9001 compliant Quality Management System. This recognition offers assurance that our customers' end-use environment, performance requirements and reliability

expectations are always captured and expressed in our product designs, as well as at every stage of development and manufacture. It means that "lessons learned" in hundreds of product applications are projected forward into continual improvement of both our product and processes. Our ISO 9001 recognition is therefore simply more evidence of DEUBLIN's unmatched reputation for customer satisfaction and product quality.

In addition, DEUBLIN is certified as an Authorized Economic Operator (AEO), which provides assurance that DEUBLIN's supply chain is approved as both secure and customs-reliable. This recognition fast-tracks the flow of goods and materials worldwide – a customer service advantage for all of our supply chain partners.



## Electrical Slip Rings Now Available

DEUBLIN provides Slip Rings for the demanding requirements of electric or hydraulic wind turbine pitch control applications.

DEUBLIN Slip Rings deliver an integrated and optimized system with special material configurations that are rated for millions of cycles, and years of trouble-free operation. Request Brochure SR102 US.

# DEUBLIN

## Rotating Union for Wind turbines, DN 15 – 40, 1 - 4 Passages

### 7100-733

- monoflow design
- self-supported rotating union
- threaded type rotor
- hydrostatic bearing design
- wear-resistant bearing
- vent for controlled leakage, depending on pressure
- shaft seal for secondary sealing
- stainless steel housing
- hardened steel rotor

### 7100-376 / 7100-730 / 7100-741

- duoflow design
- flange rotor
- coaxial media passage

### 7100-700

- duoflow design
- flange rotor
- parallel media passage
- central passage for cable
- connection for electrical slip ring

#### Special designs:

- three passage design
- eccentric cable passage
- drain line in rotor
- SAE housing connection

### 7100-736 / 7100-1001

- four passage design
- flange rotor
- parallel media passage
- central passage for cable
- connection for electrical slip ring

### 7100-1005

- four passage design
- flange rotor
- parallel media passage
- central passage for cable
- connection for electrical slip ring
- single piece housing

Following are some additional typical hydraulic unions for wind energy applications:

7100-970

899-200-201

899-221-201

7100-1018

899-210-201

SP0037

# DEUBLIN

## Rotating Union 7100 Series

### DN 8, 1 - 4 passages



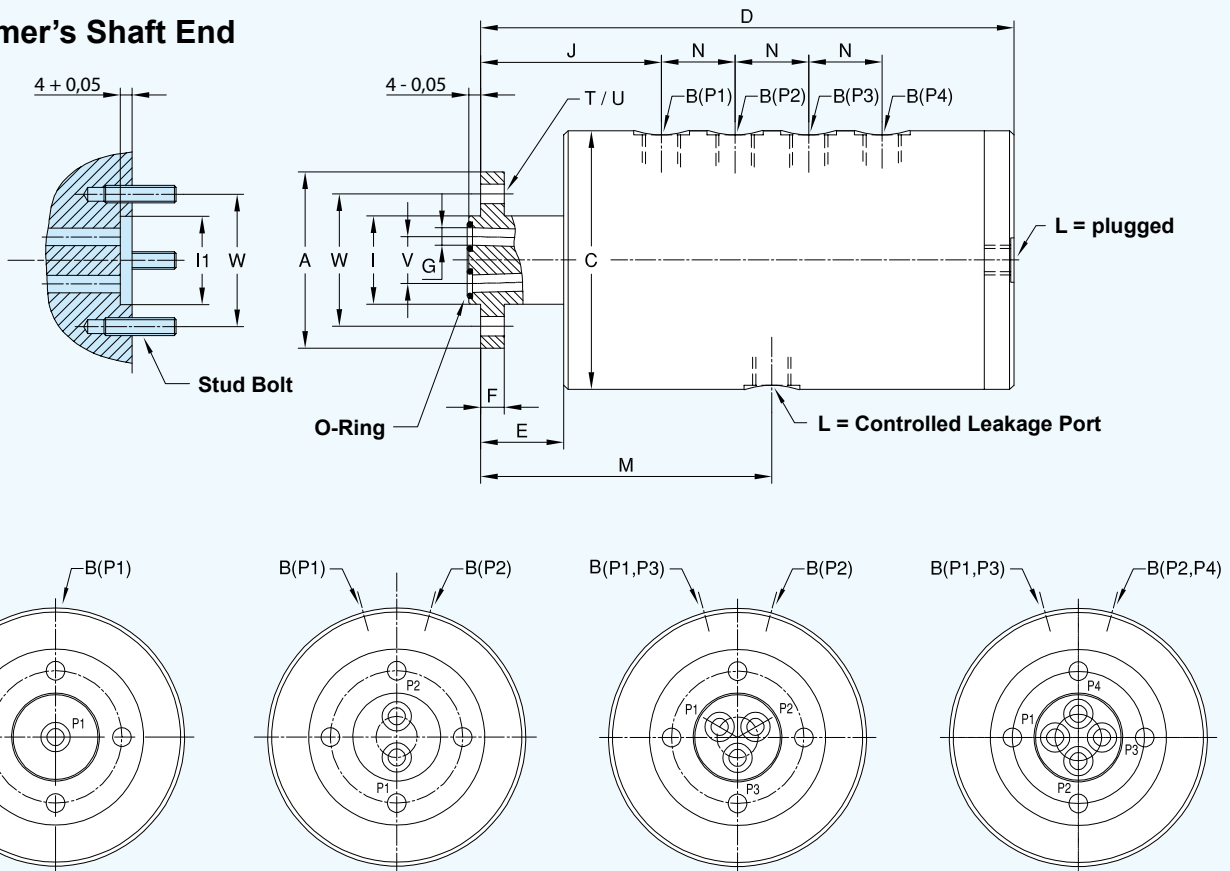
- 1-4 passages
- self-supported rotating union
- hydrostatic bearing design
- ball bearing supported
- vent for controlled leakage, depending on pressure
- shaft seal for secondary sealing
- aluminium housing
- steel rotor, coated
- special designs for higher speeds

For further information please contact Deublin.

### Operating Data

Max. Hydraulic Pressure	2,900 PSI	200 bar
Min. Hydraulic Pressure	40 PSI	3 bar
Max. Speed	3,000 RPM	3 000 min <sup>-1</sup>
Max. Temperature	60 °C	> 60°C consult DEUBLIN
Required Oil Cleanliness: class 17/15/12, ISO 4406		

### Customer's Shaft End



DN	B	Ordering No.	A Rotor Connections	C ø	D	E	F	G ø	I ø	I1 ø	J	L	M	N	T	U ø	V ø	W ø	kg
1 x 8	1 x G 1/4	7100-737	Flange Ø 60	88	110	28	8	1 x 6	30 f7	30 H7	61,5	G 1/4	74,5	-	4x90°	6,6	14	45	2,0
2 x 8	2 x G 1/4	7100-739	Flange Ø 60	88	135	28	8	2 x 6	30 f7	30 H7	61,5	G 1/4	99	1 x 25	4x90°	6,6	14	45	2,6
3 x 8	3 x G 1/4	7100-740	Flange Ø 60	88	160	28	8	3 x 6	30 f7	30 H7	61,5	G 1/4	74	2 x 25	4x90°	6,6	14	45	3,1
4 x 8	4 x G 1/4	7100-900	Flange Ø 60	88	185	28	8	4 x 6	30 f7	30 H7	61,5	G 1/4	99	3 x 25	4x90°	6,6	14	45	3,6

# DEUBLIN

## Rotating Union 7100 Series

### DN 8 - 20, Duoflow

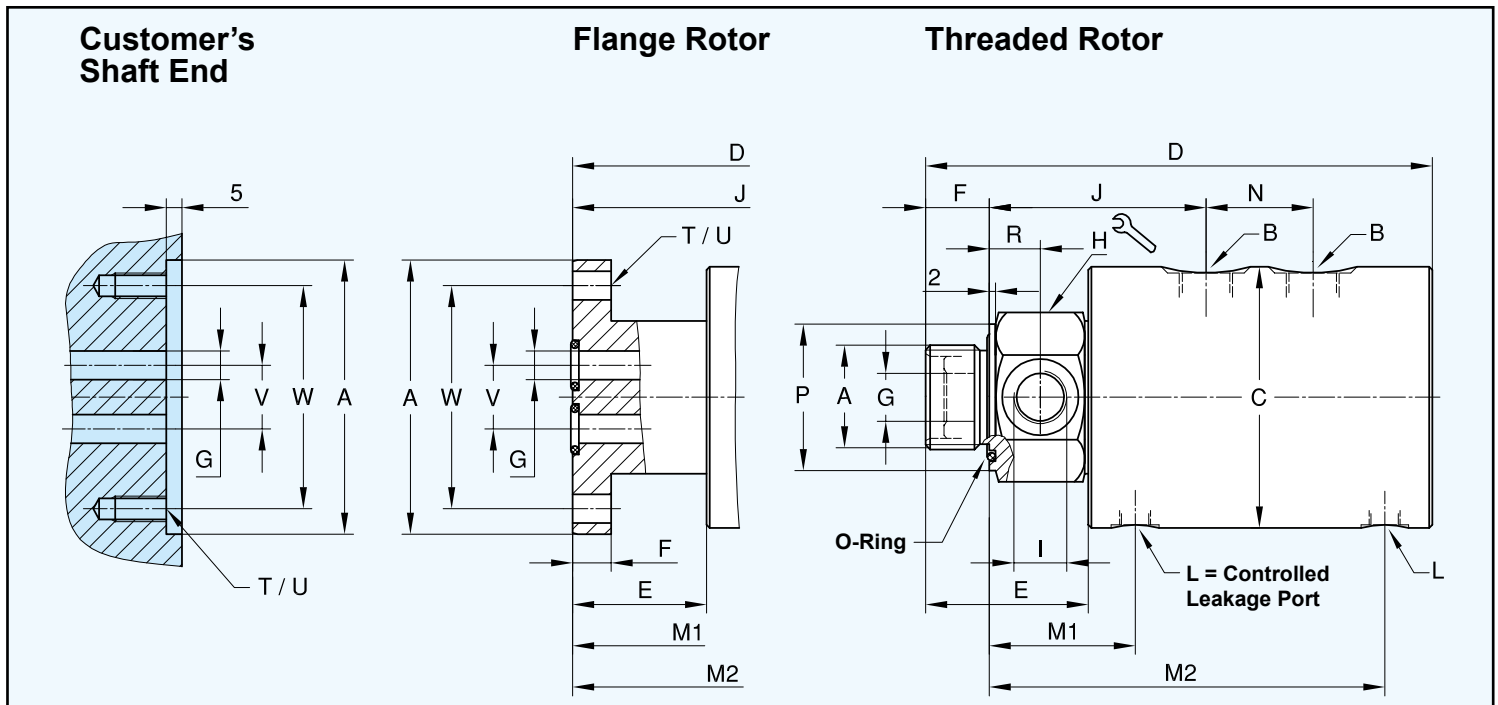
- duoflow design
- self-supported rotating union
- hydrostatic bearing design
- wear-resistant bearing
- vent for controlled leakage, depending on pressure
- shaft seal for secondary sealing
- stainless steel housing
- hardened steel rotor

For further information please contact Deublin.



#### Operating Data

Max. Hydraulic Pressure	3,630 PSI	250 bar
Min. Hydraulic Pressure	40 PSI	3 bar
Max. Speed	500 RPM	500 min <sup>-1</sup>
Max. Temperature	60 °C	> 60°C consult DEUBLIN
Required Oil Cleanliness: class 17/15/12, ISO 4406		



DN	B	Ordering No.	A Rotor Connections	C ø	D	E	F	G ø	H	I	J	L	M1/M2	N	P ø	R	T	U ø	V ø	W ø	Weight kg
2 x 8	2 x G 1/4	7100-773	G 3/4 RH	82	176	46	17	6,4	46	G 1/4	76	G 1/8	49,5/137,5	36	46	15	-	-	-	-	4,5
2 x 8	2 x G 1/4	7100-852	Flange ø 86 g6/H7	82	172	42	12	9	-	-	89	G 1/8	63/151	36	-	-	4x90°	9 M8	20	70	4,5
2 x 10	2 x G 3/8	7100-777	G 1 RH	82	181	51	20	8	46	G 3/8	78	G 1/8	52/140	36	46	16	-	-	-	-	4,4
2 x 10	2 x G 3/8	7100-853	Flange ø 86 g6/H7	82	172	42	12	9	-	-	89	G 1/8	63/151	36	-	-	4x90°	9 M8	20	70	4,4
2 x 15	2 x G 1/2	7100-711	G 1 1/4 RH	109	244	70	26	15	55	G 1/2	101	G 1/4	70,5/180,5	50	55	18	-	-	-	-	11
2 x 15	2 x G 1/2	7100-854	Flange ø 108 g6/H7	109	230	56	16	12,5	-	-	113	G 1/4	82,5/192,5	50	-	-	4x90°	11 M10	20,5	88	11
2 x 20	2 x G 3/4	7100-713	G 1 1/2 RH	109	249	75	28	17,5	65	G 3/4	106	G 1/4	73,5/183,5	50	65	20	-	-	-	-	12
2 x 20	2 x G 3/4	7100-855	Flange ø 148 g6/H7	148	288	78	25	19	-	-	153	2x G 1/2	110,5/253	60	-	-	6x60°	13,5 M12	33	126	28



# DEUBLIN

## Rotating Union 20504 Series

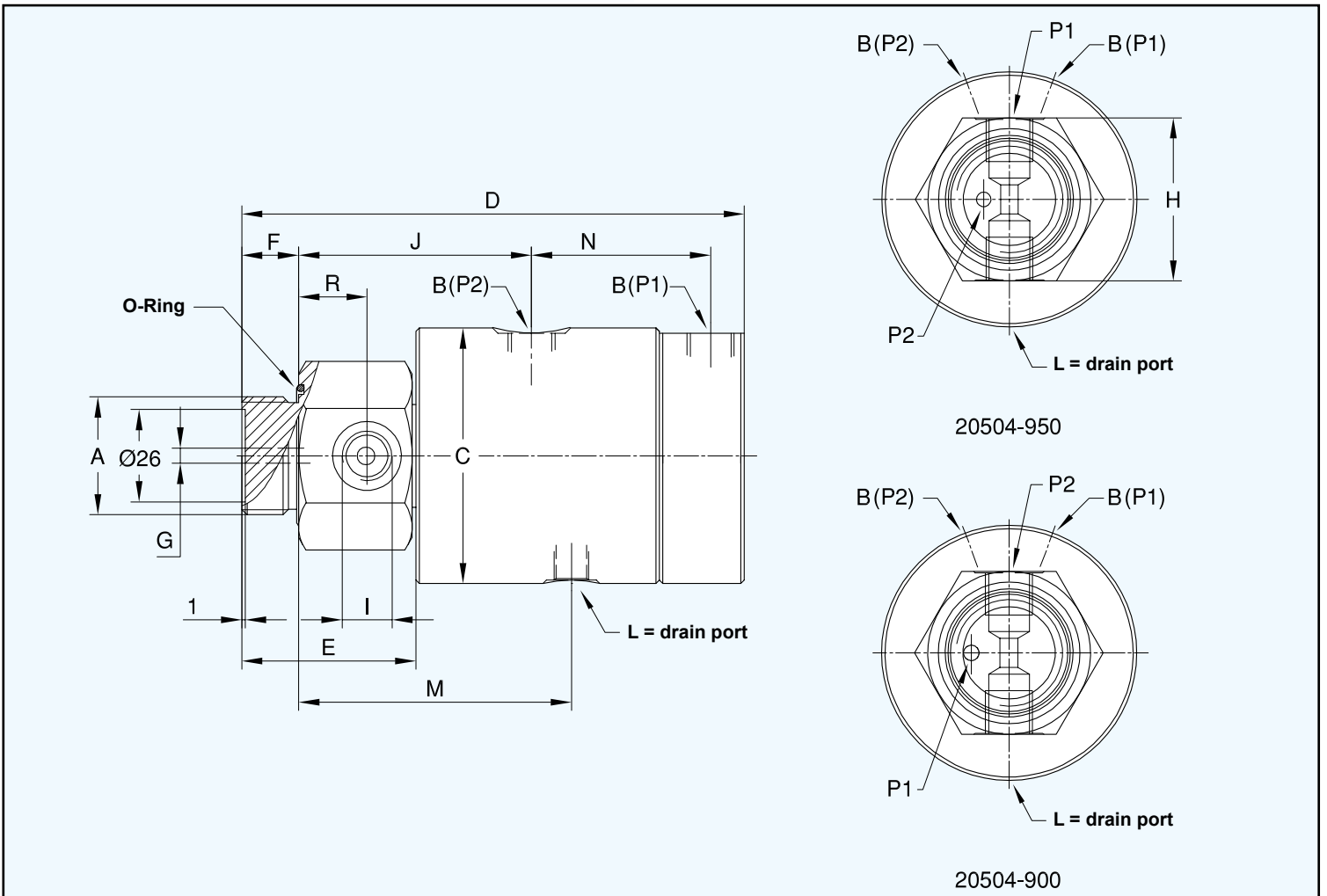
### DN 8, Duoflow

- duoflow design
- self-supported rotating union
- P1 pressure channel
- high-wear resistant balanced mechanical seal  
Silicon Carbide/Silicon Carbide for high pressure passage (P1)
- P2 channel for release, during standstill
- carbon-filled PTFE seals
- shaft seal in seal cavity
- drain passage prevents interpassage leakage
- housing connections radial
- aluminium housing
- stainless steel rotor, hardened
- Main application: Coil Winding

### Operating Data

Max. Hydraulic Pressure	3,050 PSI	210 bar
Max. Speed	250 RPM	250 min <sup>-1</sup>
Max. Temperature	60 °C	> 60°C consult DEUBLIN
Required Oil Cleanliness: class 17/15/12, ISO 4406		

For further information please contact Deublin.



DN	B	Ordering No.	A Rotor Connections		C ø	D	E	F	G ø	H	I	J	L	M	N	R	kg
2 x 8	2 x G 1/4	20504-900	G 1	RH	72	141,5	49	16	4,3	46	G 1/4	65,5	G 1/8	77	50,5	19	1,7
2 x 8	2 x G 1/4	20504-950	G 1	RH	72	141,5	49	16	4,3	46	G 1/4	65,5	G 1/8	77	50,5	19	1,7

# Important Information

A Deublin union is a precision-made piece of equipment and must be handled accordingly. Sealing between the rotating device - rotor - and the static device - stator - is mainly accomplished via floating seals. Improper use could result in premature leakage or failure.

Although Deublin unions are of the highest quality and precision they are, by their very nature, a "wear and tear" product. It's important that they should be inspected periodically. Moreover, when seals wear out, the rotating union must be replaced or repaired to avoid subsequent leakage. Once a union begins to leak, it is paramount that the union be repaired immediately. Never work with leaking unions!

Deublin unions must never be used for applications other than those specified in the catalogue. It is strictly prohibited to use Deublin unions with hydrocarbons or other flammable media as leakage may result in a fire or explosion. The use of our product on exotic or corrosive media is strictly prohibited without our prior approval. For applications other than those stated in the catalogue, the Deublin Engineering Department should be contacted for proper instructions. These instructions are provided by Deublin as general guidelines and do not contain exhaustive information about the installation, use or maintenance of unions.

Operating instructions and installation manuals are available in the German and English languages for the greater part of Deublin products. Buyers and users of Deublin unions should be certain that they have reviewed all of Deublin's product information. The operating and installation instructions must be strictly adhered to when installing Deublin unions.

## Factory Testing

All Deublin unions are factory-tested under pressure prior to shipment. This thorough check ensures that each single Deublin union is completely operational when you receive it and can - in most cases - be installed with no further consideration.

## Warranty

The buyer's warranty rights assume that the product shipped be inspected upon receipt and all defects reported to Deublin in writing immediately or for no longer than a period of 2 weeks. Defects must be reported to Deublin in writing immediately upon detection. The warranty is void when the Deublin Rotating Union is tampered with or misused in any way. Otherwise, our General Terms of Sale and Delivery are valid. It cannot be emphasised enough that all dynamic seal components are wear parts.

Deublin will not be held liable for damage resulting from improper use, incorrect warehousing, incorrect transport, faulty assembly, faulty operation, insufficient maintenance, incorrect handling, improper installation by the customer, the use of inappropriate accessories or spare parts and natural abrasion. Please request our General Terms of Sale and Delivery.

## Lubrication and Maintenance

Depending on the Deublin product series and the operating parameters all Deublin unions are lubricated for life.

The unions equipped with oil cups should be lubricated periodically with 4 to 5 drops of high quality SAE 30 motor oil, approximately once a month or in extreme severe conditions (high RPM's) once a week.

## Filtering

The service life of the seal is largely determined by filter quality and thus of vital importance for the perfect operation of the rotating union. We recommend a filtering of min. 60 µm. It goes without saying that all installation and operating instructions must be carefully reviewed and strictly adhered to.

## Repair Service and Maintenance of DEUBLIN Unions by DEUBLIN

Use only DEUBLIN spare parts for repair of the Deublin rotating unions. Prior to repair contact Deublin or any authorised Deublin representative. You can find a local Deublin representative at the following internet site: [www.deublin.com](http://www.deublin.com).

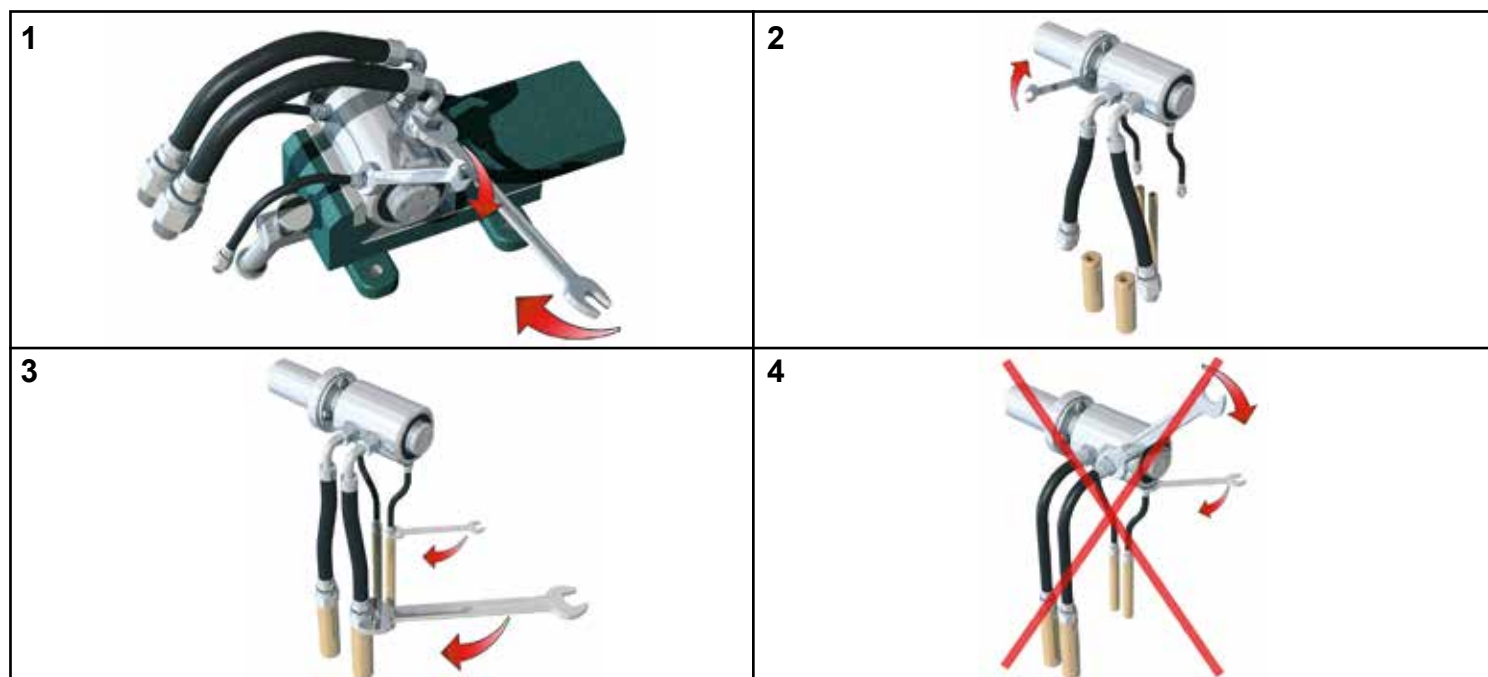
Most unions can be reconditioned in the field by use of Deublin repair or rebuilding kits. Generally, we recommend having the Deublin rotating unions repaired by Deublin. Repair service is available at all DEUBLIN factories. Factory rebuilt unions carry a "New-Union-Warranty".

## Tension-free Installation

When installing rotating unions, special attention has to be paid to a flexible and tension-free hose connection. For further suggestions please refer to our installation instructions.

**WARNING** DEUBLIN unions should not be used to convey flammable media (flash point  $\leq 140^{\circ}\text{F}$  or  $60^{\circ}\text{C}$ ) as leakage may result in explosions or fires. DEUBLIN unions should be used in accordance with standard safety guidelines for the media, and in a well-ventilated area. The use of our product on hazardous or corrosive media is strictly forbidden.

## Instructions for Hose Installation and Assembly of DEUBLIN Rotating Unions - see example 7100 series below



Since its founding in 1945 as a small, family-owned business, Deublin consistently has adhered to a policy of designing and building the best products of their kind in the world. The result of this policy has been constant growth through the years, and for this we are grateful to our many loyal customers.

Today, Deublin is the world's largest manufacturer of rotating unions, with state-of-the-art factories, technical sales and service, and local stocking in 15 countries on four continents, as well as a worldwide distribution network operating from more than 60 countries. Our global organization and extensive catalog of field-tested products ensure a precise match between each customer's requirements and an engineered solution.

We cordially invite you to visit our modern manufacturing facilities in Waukegan, Illinois, USA; Mainz, Germany; Monteveglio, Italy; Dalian, China; and Sao Paulo, Brazil.



Global Headquarters in Waukegan, Illinois, U.S.A.



Mainz, Germany



Monteveglio, Italy



Dalian, China



Deublin products & services are available throughout the world.

[www.deublin.com](http://www.deublin.com)

## AMERICAS

### DEUBLIN USA

2050 Norman Drive  
Waukegan, IL 60085 U.S.A.  
Phone: +1 847 689-8600  
Fax: +1 847 689-8690  
e-mail: [cs@deublin.com](mailto:cs@deublin.com)

### DEUBLIN Brazil

Rua Fagundes de Oliveira, 538 - A11 –  
Piraporinha  
CEP: 09950-300 - Diadema - SP – Brazil  
Phone: +55 11-2455-3245  
Fax: +55 11-2455-2358  
e-mail: [deublinbrasil@deublinbrasil.com.br](mailto:deublinbrasil@deublinbrasil.com.br)

### DEUBLIN Mexico

Norte 79-A No. 77, Col. Claveria  
02080 Mexico, D.F.  
Phone: +52 55-5342-0362  
Fax: +52 55-5342-0157  
e-mail: [deublinmexicocs@deublin.com](mailto:deublinmexicocs@deublin.com)

## ASIA

### DEUBLIN China

No. 2, 7th Street, DD Port,  
Economic Development Zone, Dalian,  
Liaoning Province, 116620, P.R. China  
Phone: +86 411-87549678  
Fax: +86 411-87549679  
e-mail: [info@deublin.cn](mailto:info@deublin.cn)

Room15A07, Wangjiao Plaza  
No.175 East Yan'an Road, Huangpu District  
Shanghai, 200041, P.R. China  
Phone: +86 21-52980791  
Fax: +86 21-52980790  
e-mail: [service@deublin.cn](mailto:service@deublin.cn)

### DEUBLIN Asia Pacific

51 Goldhill Plaza, #17-02  
Singapore 308900  
Phone: +65 6259-9225  
Fax: +65 6259-9723  
e-mail: [deublin@singnet.com.sg](mailto:deublin@singnet.com.sg)

### DEUBLIN Japan

2-13-1, Minamihanayashiki  
Kawanishi City 666-0026, Japan  
Phone: +81 72-757-0099  
Fax: +81 72-757-0120  
e-mail: [customerservice@deublin.jp](mailto:customerservice@deublin.jp)

2-4-10-3F Ryogoku  
Sumida-Ku, Tokyo 130-0026, Japan  
Phone: +81 35-625-0777  
Fax: +81 35-625-0888  
e-mail: [customerservice@deublin.jp](mailto:customerservice@deublin.jp)

1-9-2-4F Mikawaanjo-cho  
Anjo City, Aichi 446-0056, Japan  
Phone: +81 566-7361  
Fax: +81 566-71-4360  
e-mail: [customerservice@deublin.jp](mailto:customerservice@deublin.jp)

### DEUBLIN Korea

Star Tower #1003, Sangdaewon-dong 223-25,  
Jungwon-gu, Seongnam-si, Gyeonggi-do,  
South Korea  
Phone: +82-31-8018-5777  
Fax: +82-31-8018-5780  
e-mail: [customerservice@deublin.kr](mailto:customerservice@deublin.kr)

## EUROPE

### DEUBLIN Germany

Florenz - Allee 1  
55129 Mainz, Germany  
Phone: +49 6131-4998-0  
Fax: +49 6131-4998-109  
e-mail: [info@deublin.de](mailto:info@deublin.de)

### DEUBLIN Italy

Via Guido Rossa, 9  
40053 Comune di Valsamoggia (BO), Italy  
Phone: +39 051-835611  
Fax: +39 051-832091  
e-mail: [info@deublin.it](mailto:info@deublin.it)

### DEUBLIN Austria

Mitterfeldgasse 3/18/R02  
1110 Vienna, Austria  
Phone: +43 1-8768450  
Fax: +43 1-876845030  
e-mail: [info@deublin.at](mailto:info@deublin.at)

### DEUBLIN France

61 bis, Avenue de l'Europe  
Z.A.C de la Malnoue  
77184 Emerainville, France  
Phone: +33 1-64616161  
Fax: +33 1-64616364  
e-mail: [service.client@deublin.fr](mailto:service.client@deublin.fr)

### DEUBLIN Poland

ul. Bierutowska 57-59  
51-317 Wroclaw, Poland  
Phone: +48 71-3528152  
Fax: +48 71-3276278  
e-mail: [info@deublin.pl](mailto:info@deublin.pl)

### DEUBLIN Russia

5-ya Sokoloini gori, 18, bld. 2, office 1  
105275, Moscow, Russia  
Phone: +7 495 647-14-34  
Fax: +7 495 938-89-49  
e-mail: [info@deublinrussia.ru](mailto:info@deublinrussia.ru)

### DEUBLIN Spain

C/Lola Anglada, 20 local 1,  
08228 Terrassa, Spain  
Phone: +34 93-2211223  
Fax: +34 93-2212093  
e-mail: [deublin@deublin.es](mailto:deublin@deublin.es)

### DEUBLIN United Kingdom

6 Sopwith Park, Royce Close,  
West Portway  
Andover SP10 3TS, UK  
Phone: +44 1264-333355  
Fax: +44 1264-333304  
e-mail: [info@deublin.co.uk](mailto:info@deublin.co.uk)