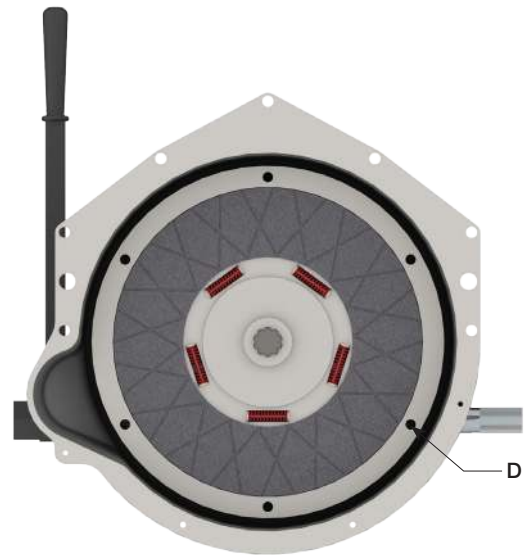
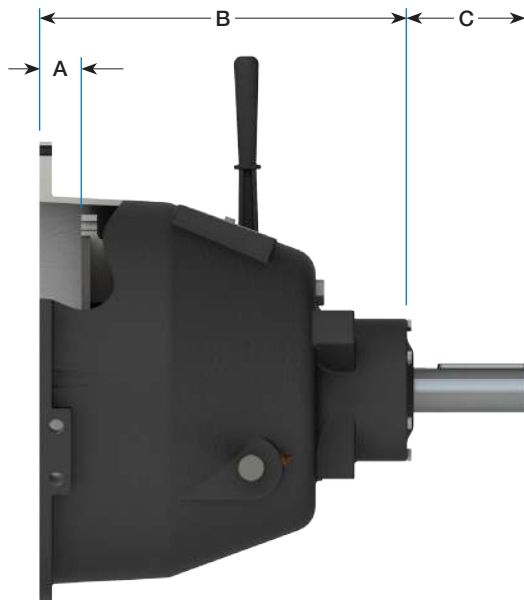




GM®-Style



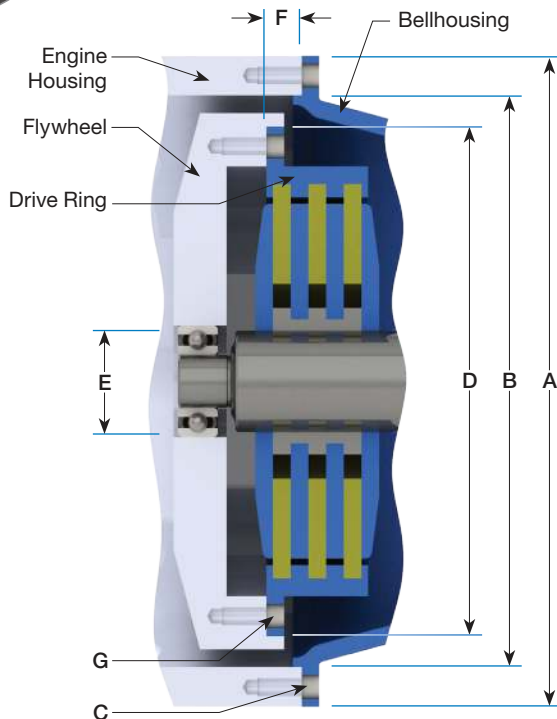
- GM®-style bellhousing mounts directly to 4.3, 5.7, 6.2, 7.4 & 8.1 liter engines.
- Solid ductile iron bellhousing is built for heavy-duty applications, keeping out weather and other contaminants.
- Heavy-duty adjustment ball screw with jam nut makes adjustments easy.
- Inline or sideload applications.
- Heavy-duty, precision components are made of steel and ductile iron.



GM® is a registered trademark of the General Motors Company

Model	A	B	Output Shaft			D Hole			Weight lb (kg)
			C	Dia	Keyway	Bolt Circle	Qty	Dia	
GM® Style	1.69 (42.9)	14 7/16 (366.7)	4 7/16 (112.7)	1.750 (44.45)	3/8 x 3/16	12.63 (320.7)	6	3/8 (9.5)	160 (73)
GM® Style HD	1.69 (42.9)	14 7/16 (366.7)	4 7/16 (112.7)	2.250 (57.15)	1/2 x 1/4	12.63 (320.7)	6	3/8 (9.5)	160 (73)

# PTO Product Selection Guide

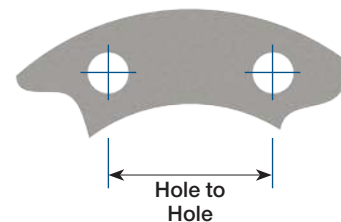


## WPT SAE Housing Adapters Available

Part Number	From SAE Engine Housing	To SAE Bellhousing
WTD-00-000	2	4
WTD-00-001	1	2
WTD-00-002	1/2	1
WTD-00-003	0	1
WTD-00-004	00	0

WPT PTOs meet the mounting requirements of SAE J617 and SAE J620.

Dual or double-drilled flywheels may interfere with PTO. Contact WPT Applications Engineering for assistance on higher capacity or speed rating questions.



## Housing

SAE Housing	A	B Pilot	C			
			Bolt Circle	Qty	Dia	Hole to Hole
6	12 1/8 (307.8)	10.500 (266.70)	11.25 (285.8)	8	13/32 (10.3)	4 1/4 (109.4)
5	14 (355.6)	12.375 (314.32)	13.13 (333.4)	8	13/32 (10.3)	5 (127.6)
4	15 7/8 (403.4)	14.250 (361.95)	15.00 (381.0)	12	13/32 (10.3)	3 7/8 (98.6)
3	17 3/4 (450.8)	16.125 (409.58)	16.88 (428.6)	12	13/32 (10.3)	4 5/16 (110.9)
2	19 1/4 (489.0)	17.625 (447.68)	18.38 (466.7)	12	13/32 (10.3)	4 3/4 (120.8)
1	21 3/4 (552.4)	20.125 (511.18)	20.88 (530.2)	12	15/32 (11.9)	5 3/8 (137.2)
1/2	25 1/2 (647.7)	23.000 (584.20)	24.38 (619.1)	12	17/32 (11.5)	6 1/4 (160.2)
0	28 (711.2)	25.500 (647.70)	26.75 (679.5)	16	17/32 (11.5)	5 3/16 (132.6)
00	34 3/4 (882.6)	31.000 (787.40)	33.50 (850.9)	16	17/32 (11.5)	6 1/2 (166.0)

## Flywheel

WPT Clutch Size	D Pilot	E (mm)	F	G			
				Bolt Circle	Qty	Dia	Hole to Hole
6"	8.500 (215.90)	52	1 3/16 (30.2)	7.88 (200.0)	6	21/64 (8.3)	3 15/16 (100.0)
7"	9.500 (241.30)	52	1 3/16 (30.2)	8.75 (222.3)	8	21/64 (8.3)	3 5/16 (85.1)
8"	10.375 (263.52)	62	2 7/16 (62.0)	9.63 (244.5)	6	13/32 (10.3)	4 3/4 (122.2)
10"	12.375 (314.32)	62 72	2 1/8 (53.8)	11.63 (295.3)	8	13/32 (10.3)	4 7/16 (113.0)
11"	13.875 (352.42)	62 72 80	1 9/16 (39.6)	13.13 (333.4)	8	13/32 (10.3)	5 (127.6)
14"	18.375 (466.72)	72 80 100	1 (25.4)	17.25 (438.2)	8	17/32 (13.5)	6 9/16 (167.7)
18"	22.500 (571.50)	100 120	5/8 (15.7)	21.38 (542.9)	6	21/32 (16.7)	10 11/16 (271.5)
21"	26.500 (673.10)	-	0 (0)	25.25 (641.4)	12	21/32 (16.7)	6 1/2 (166.0)

# PTO Product Selection Guide

## ► Step One

### Application Service Factor Selection Guide

### Service Factor (SF)

	Duty Service Classification	Typical Applications	Single Cylinder Engine		Multi-Cylinder Engine	
			Up to 10 Hours/Day	Over 10 Hours/Day	Up to 10 Hours/Day	Over 10 Hours/Day
Uniform	Light loads with minimal slip	Centrifugal blowers, compressors, fans, rotary pumps	1.5	1.75	1.25	1.5
Moderate	Medium loads with maximum 3 second slip at engagement	Cone crushers, wood chippers, mine fans, reciprocating pumps, road milling machines and planers	2	2.25	1.75	2
Severe	Heavy loads requiring bump start sequence for engagement	Jaw crushers, tub grinders, dredge/mud pumps, hammer mills, reciprocating compressors, waste recyclers	2.25	2.5	2	2.25

## ► Step Two

Maximum Input Torque

$$T = \frac{\text{hp} \times \text{SF}}{\text{r/min}} \times 5,252 = \text{_____ lbf-ft}$$

$$T = \frac{\text{kW} \times \text{SF}}{\text{r/min}} \times 9,549 = \text{_____ N-m}$$

$$T = \text{Engine Torque [lbf-ft (N-m)]} \times \text{SF}$$

### Conversions

Multiply	By	To Obtain
lbf-ft	1.356	N-m
hp	0.746	kW
lbf	0.454	kgf
kg	9.807	N

## ► Step Three

*For in-line applications skip to Step Four.*

Sideload

$$L = \frac{\text{hp} \times F \times \text{SF}}{\text{r/min} \times D \text{ (in)}} \times 126,000 = \text{_____ lbf}$$

$$L = \frac{\text{kW} \times F \times \text{SF}}{\text{r/min} \times D \text{ (mm)}} \times 1,947,000 = \text{_____ kgf}$$

**L** = Actual Applied sideload  
**D** = Sheave or Sprocket Diameter  
**F** = Load Factor  
 1.0 for Chain Drive or Gear Belt  
 1.5 for Timing Belts  
 2.2 for All V-belts

## ► Step Four

*See Pages 14 and 15 for PTO Maximum Input Torque, r/min and Sideload ratings.*

### Additional Notes:

Power Take-Off calculations are for reference only. For full warranty consideration, a data sheet must be turned into WPT Power and complete review performed by WPT Power Applications Engineering.