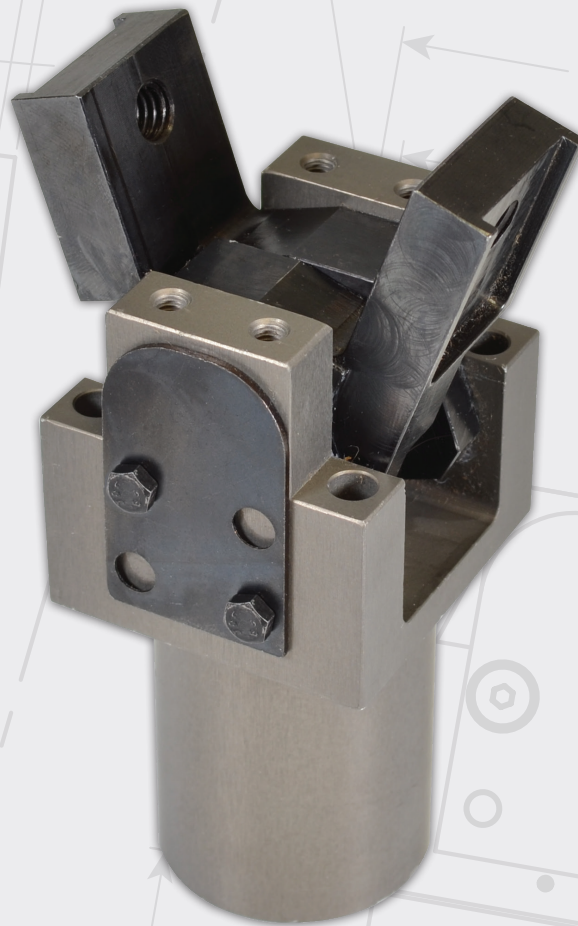


Glass Tong Head Gripper

- Ideal for hot glass bottle transferring applications
- Rugged design and long life
- Easily field repairable

DESIGNED
FOR THE
GLASS
CONTAINER
INDUSTRY

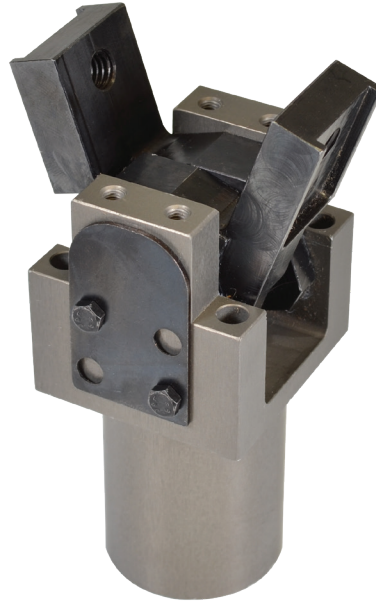


GLASS TONG HEAD GRIPPERS

Major Benefits

The design of the new GGA Glass Gripper incorporates a cam slot that provides a locking ramp which locks in place when jaws are fully open. In addition, it has a cushioning through the cam slot design which also provides a very smooth closing.

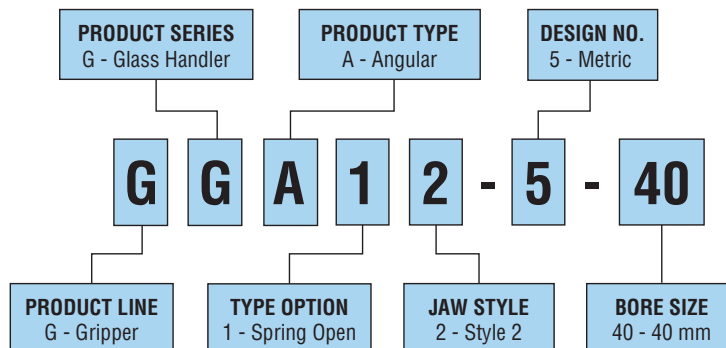
- **Mechanical Locking:** Gripper jaws are locked on full open, thus eliminating jaws and tooling being exposed to additional moments of inertia during gob/bottle transfer onto the conveyor. This is called Anti-Wink Function which reduces the risk of damaging the container mouth rim.
- **More Grip Force:** The theoretical grip force with the jaws at parallel is about 347 N at 6 bar [78 lb at 87 psi] and 85 N at 2 bar [19 lb at 29 psi].
- **Cam Slot Design:** Provides for precise jaw closing and opening, minimizing damage to the bottle necks. For consistent, repeatable pick up. No pin breaks or jaw play!
- **Drop-in Replacement:** On popular glass bottle forming machines
- **Engineered Solution:** Designed for more than 10 million cycles
- **Less Downtime:** Easily field repairable, less parts, spare parts available upon request (maintenance interval varies based on local environment)



GGA12-5-40

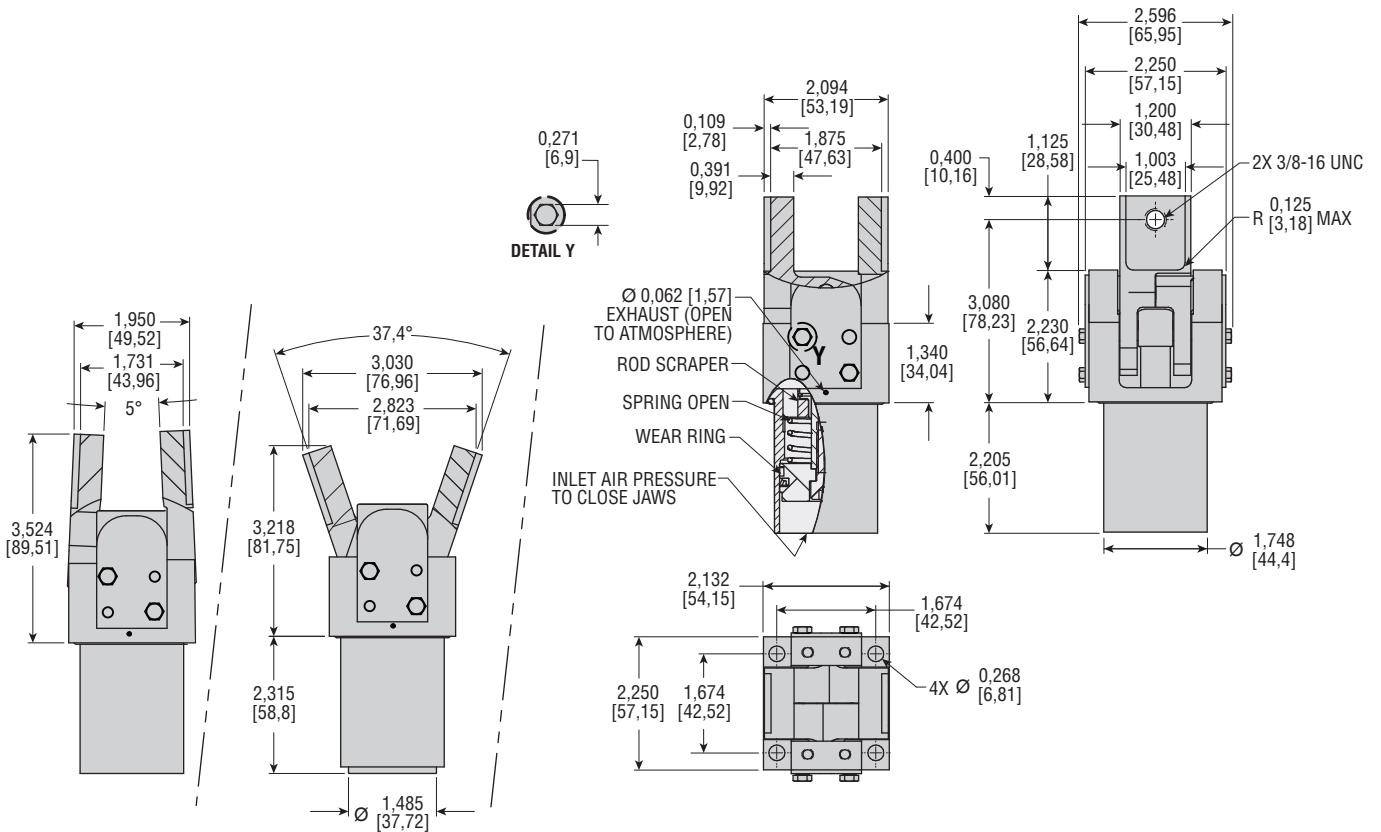


SPECIFICATIONS	GGA12-5-40
WEIGHT	30,4 oz [862 g]
BORE	40 mm
JAWS OPEN ANGLE	37,4°
JAWS FULL CLOSE ANGLE	5°
OPERATING PRESSURE	2 to 6 bar
JAW MATERIAL	Pre-hardened steel
BODY	Coated
SPRING OPEN	Spring installed between body and piston
ROD SCRAPER	High-temp (standard)



DIMENSIONS: Series GGA

GGA12-5-40

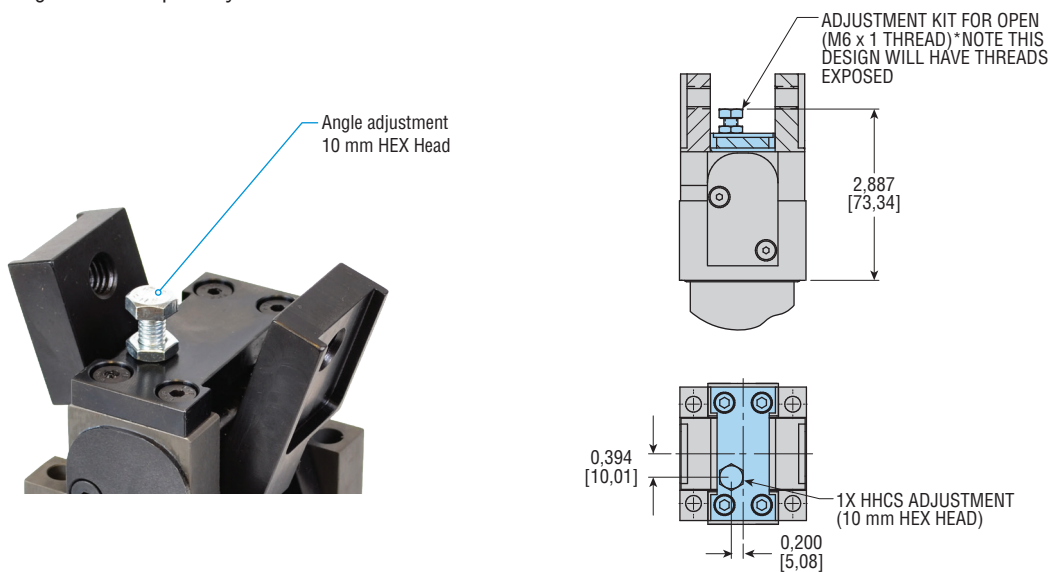


NOTES:

- 1) ALL DIMENSIONS ARE FOR REFERENCE ONLY
- 2) THEORETICAL GRIP FORCE AT PARALLEL IS ABOUT 18 lb [80 N] AT 30 psi [2 bar] AT THREADED HOLES
- 3) SINGLE-ACTING OPERATION: - SPRING OPEN, AIR PRESSURE CLOSED
- 4) UNIT RATED FOR 400°F [204°C]

ANGLE ADJUSTMENT KIT# 315208-10

Jaw Angle Adjustment Kit provides an easy possibility to adjust the jaw opening. Ordered separately and easily installed.

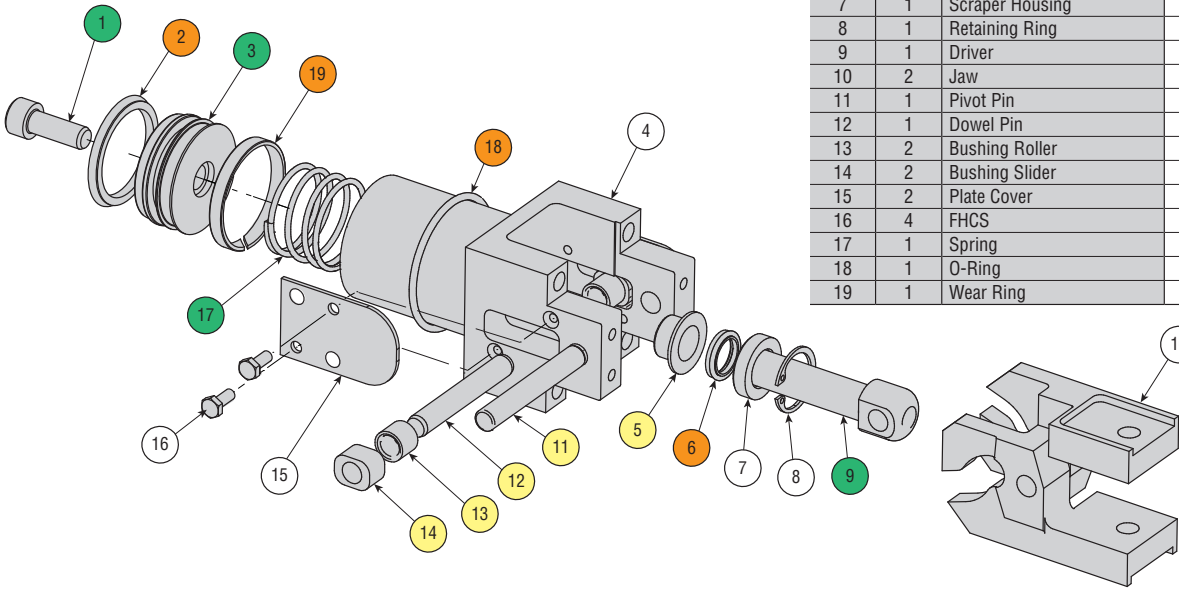


EXPLODED ASSEMBLY PARTS: Series GGA

KIT DESCRIPTION	KIT NUMBER	COLOR CODE*
Seal Kit	Full unit description and -H9000	
P&R Kit	316532-52	
Bushing Kit	316532-51	

* Color code designates parts to be included in kit

KEY	QTY	PART DESCRIPTION	PART NUMBER
1	1	SHCS	14308-140
2	2	Piston Seal	63624-012-2
3	1	Piston	88059
4	1	Body	315988-01
5	1	Bearing	86603-020
6	1	Rod Scraper	82528-005-02
7	1	Scraper Housing	315988-08
8	1	Retaining Ring	1987-028
9	1	Driver	315156-03
10	2	Jaw	315988-02
11	1	Pivot Pin	62176-04
12	1	Dowel Pin	52416-111
13	2	Bushing Roller	62098
14	2	Bushing Slider	62100
15	2	Plate Cover	315156-06
16	4	FHCS	14308-571
17	1	Spring	315156-07
18	1	O-Ring	68687-219-2
19	1	Wear Ring	316532-02



Gripper Housing - 3 Bottle Transfer Kit#VAS-286651

Gripper housing shown for reference only. Other replacement OEM sizes are available upon request.

- Replacement housings for all types of OEM machines can be designed to allow the use of Series GGA Glass Tong Head Gripper
- Reduced weight of holder decreases stress on take-out mechanism
- Machined gripper housings provide better quality than casted OEM units
- Possibility to replace OEM glass grippers by Series GGA Glass Tong Head Gripper

